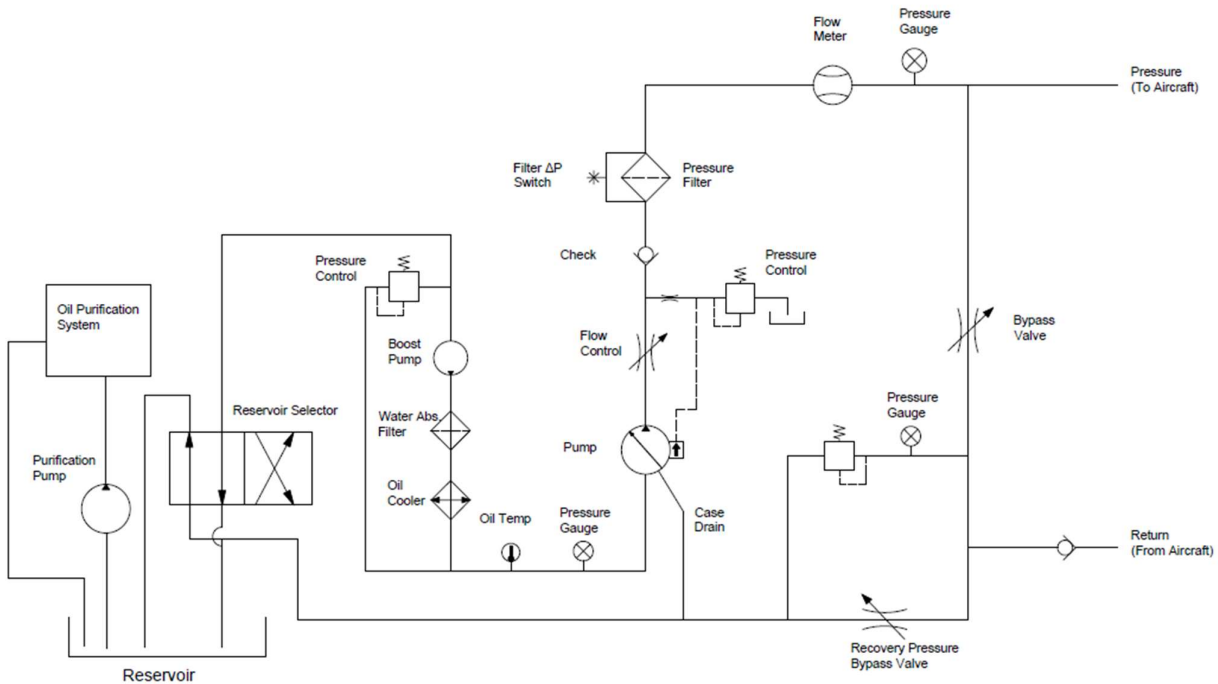
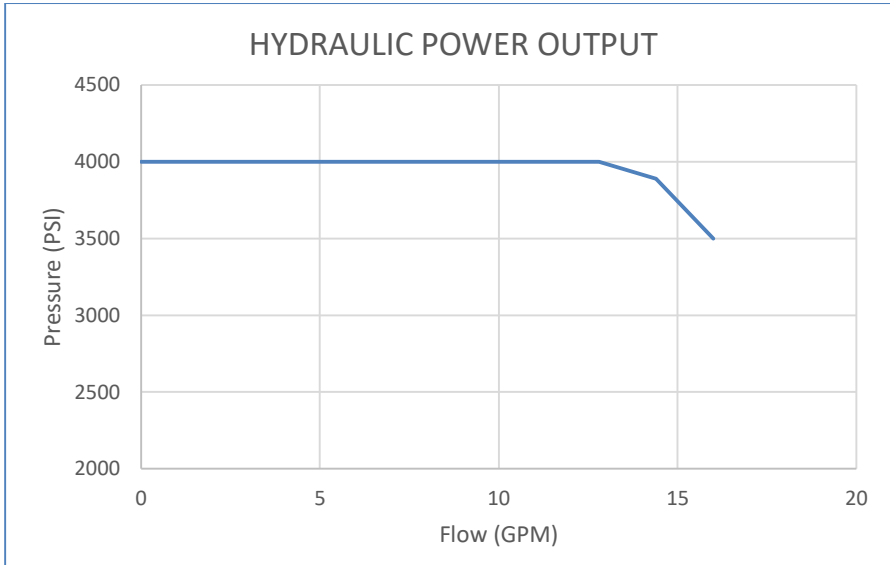


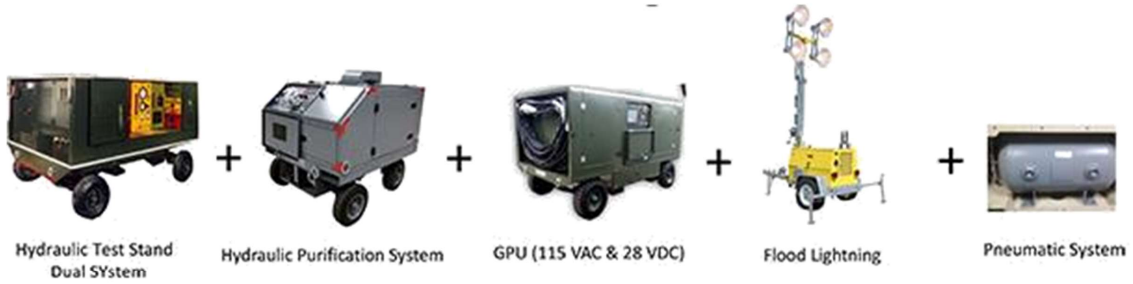
APA-ΩGPU is Support equipment for checking the pneumatic, power (AC, DC) and hydraulic systems for engine start on the ground in the Surion(KUH) aircraft
Unit is ready to start T700 series engine.

№	Parameter	Value
1.	General parameters	
1.1.	Climatic, °C	-32...+43
1.2.	Altitude, m	up to 1000
1.3.	Humidity, %	10-100
1.4.	Operation position, slope,	5°
1.5.	Warranty	24 months
1.6.	Own lighting tower	Yes, used for night maintenance
1.7.	Execution	mobile on trailer, towed with brake system, towed by tractor 2,5t, have traction hooks
1.8.	Traction speed, km/h	60 more
1.9.	Transportability	by plane or helicopter; forklifted or sling-loaded
1.10.	Operating time under load, h	≥ 3
1.11.	Dimensions LxWxH, mm	3175x1829x1651
1.12.	Weight, less than kg	~2620
1.13.	Computer control	all commands and displays; monitoring and diagnostic; viewing of technical and training manuals
2.	Drive unit	
2.1.	Diesel engine	Perkins, turbocharged
2.2.	Fuel type	Diesel or JP-8
2.3.	Pump	variable discharge with pressure compensator electronic control
2.4.	Boost pump	fixed displacement gear pump
2.5.	Heat discharge	oil-to-air radiator
2.6.	Fuel tank capacity	for more than 3 hours at loaded status
2.7.	Battery	24VDC, two 12VDC free maintenance gel type
3.	Pneumatic Air Start for T700 engine	
3.1.	Supply capacity, kg/min (lbs/min)	13.608 (30)
3.2.	Pressure, bar (psi) more	0-2,8 (0-40)
3.3.	Pneumatic hose diameter, in	3,5"
3.4.	Pneumatic hose length, m (ft)	9 (30)
4.	Hydraulic power system	
4.1.	Flow, m ³ /min (gpm)	0,061 (16), adjustable
4.2.	Pressure, adjustable, bar (psig)	17-240 (250-3500)
4.3.	Hydraulic oil	MIL-PRF-83282, MIL-PRF-5606 or customized
4.4.	Supply hose	½", 15m (50ft) long
4.5.	Return hose	¾", 15m (50ft) long
4.6.	Boost system filter	10-micron (nominal)
4.7.	Supply system filter	3-micron (absolute)
4.8.	Fill & purification system filter	3-micron (absolute)
4.9.	Water ingress prevention device in hydraulic oil storage tank	yes
4.10.	Anti-pollution filter in hydraulic oil supply and change system	yes
4.11.	Cooling system to prevent overheating of hydraulic oil	yes
4.12.	Pressure	155-S9-6D (Hose attaching half)

		155-S9-8D (Plug)
4.13.	Return	155-S5-10D (Hose attaching half)
		155-S9-12D (Plug)
5.	Hydraulic Purification System	
5.1.	Flow, m ³ /min (gpm)	0,061 (16), adjustable
5.2.	Capacity (contaminant removal), m ³ (gal) of hydraulic fluid per 5 hours	0,208 (55)
5.3.	Moisture	200 less at 1000ppm
5.4.	Chlorinated solvent	100 less at 400ppm
5.5.	Air and gas	98% or more by volume
5.6.	Particulate cleanliness level	US NAVY Class 2 or less; US Army AS-59 Class 6 or less
6.	AC Output parameters	
6.1.	Number of outputs	1
6.2.	Rated output power, kVA	60
6.3.	Rated output voltage, VAC	3x115/200±0,5%, 3L+N
6.4.	Voltage regulation, %	0,5
6.5.	Total harmonic distortion, not worse, %	≤ 3
6.6.	Output frequency, Hz	400 ±0.01 steady rate adjustment, 1Hz modulation
6.7.	Line drop compensation	automatic
6.8.	Interlock	switches ON/OFF; civil/military
6.9.	Overload rating	5min. - 125%; 30 sec. – 150%
6.10.	Output cable length, m (ft)	15,3 (50)
6.11.	Aircraft plug	MS25486-30
6.12.	Protections immediately shutdown and alarm: over/under voltage; low/high frequency in acc. with MIL-STD-704F; overload; short circuit at input and output; overheating; absence of neutral; Emergency stop button	
7.	DC Output parameters	
7.1.	Number of outputs	1
7.2.	Current (continuously), A	300
7.3.	Rated output voltage, VDC	28±0,5%, voltage adjustment 0,5%
7.4.	Output voltage ripple factor, V	≤2
7.5.	Line drop compensation	automatic, regulated
7.6.	Storing of fault history + USB adapter	up to 100 events
7.7.	Overload rating	1000 A - 30 sec.
7.8.	Output cable length, m (ft)	12,2 (40)
7.9.	Aircraft plug	4/0 AWG JB2840
7.10.	Protections immediately shutdown and alarm: over/under voltage; in acc. with MIL-STD-704F; overload; short circuit at input and output; overheating; absence of neutral; Emergency stop button	
8.	Documentation	
8.1.	Operation and service Manual; Passport of Equipment, Warranty Certificate	

Hydraulic power output and hydraulic diagram model. Hydraulic purification system is by default feature and is included into quotation.





=
New Generation



Airdrome Ground Power Unit APA-ΩGPU 5 in one unit